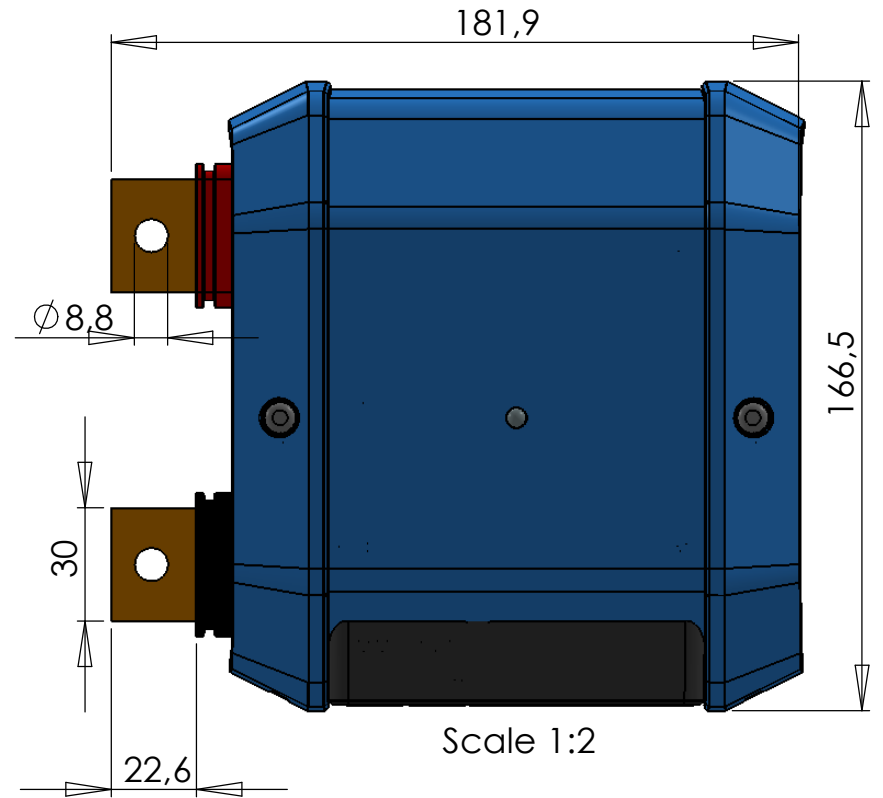


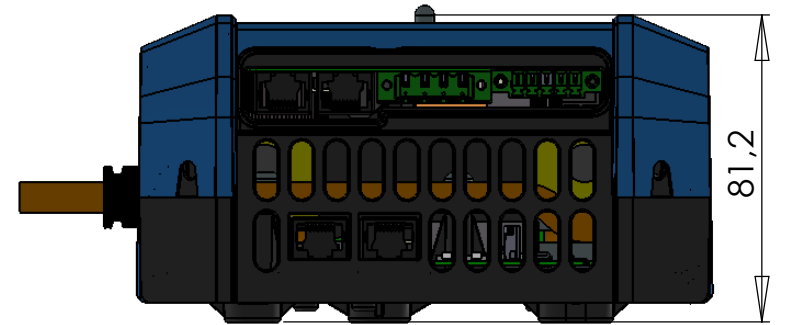
Mounting Hole

Scale 1:1

Mounting Hole



Scale 1:2



Scale 1:2



Dimensions in mm